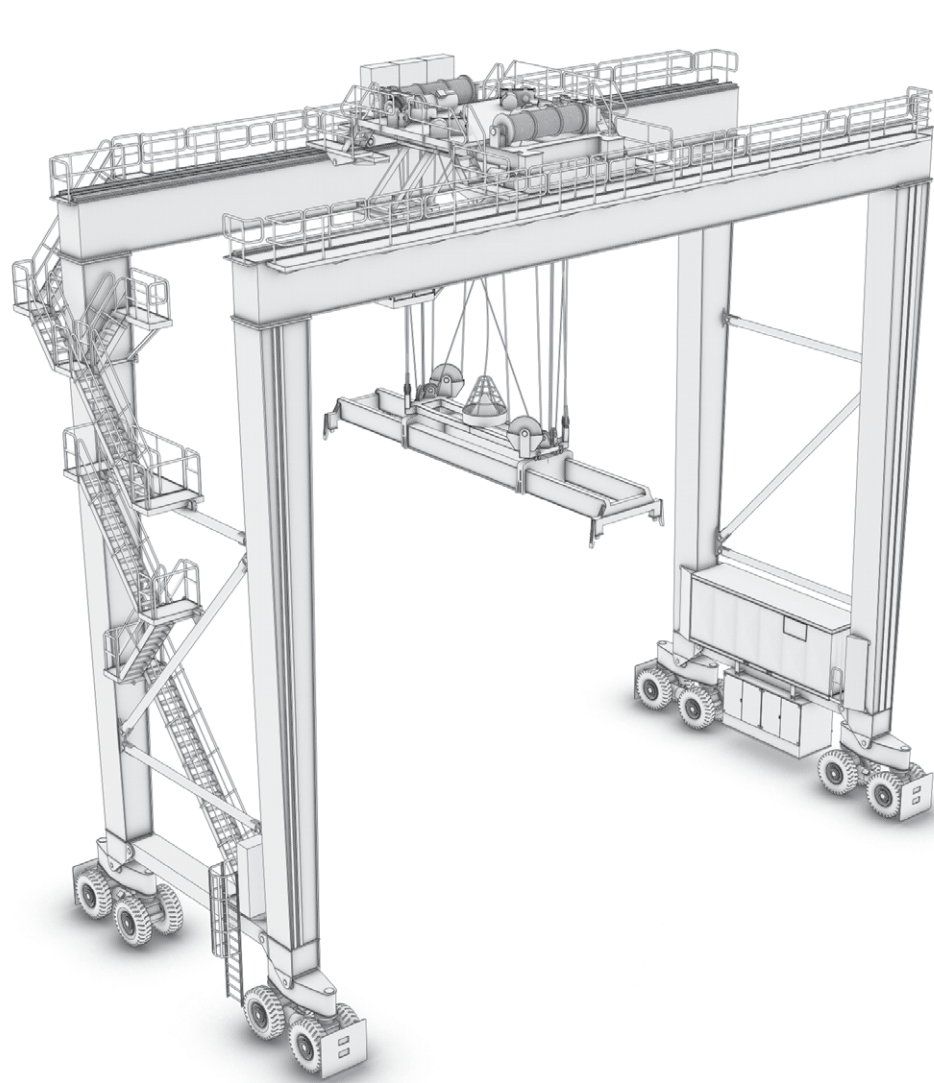
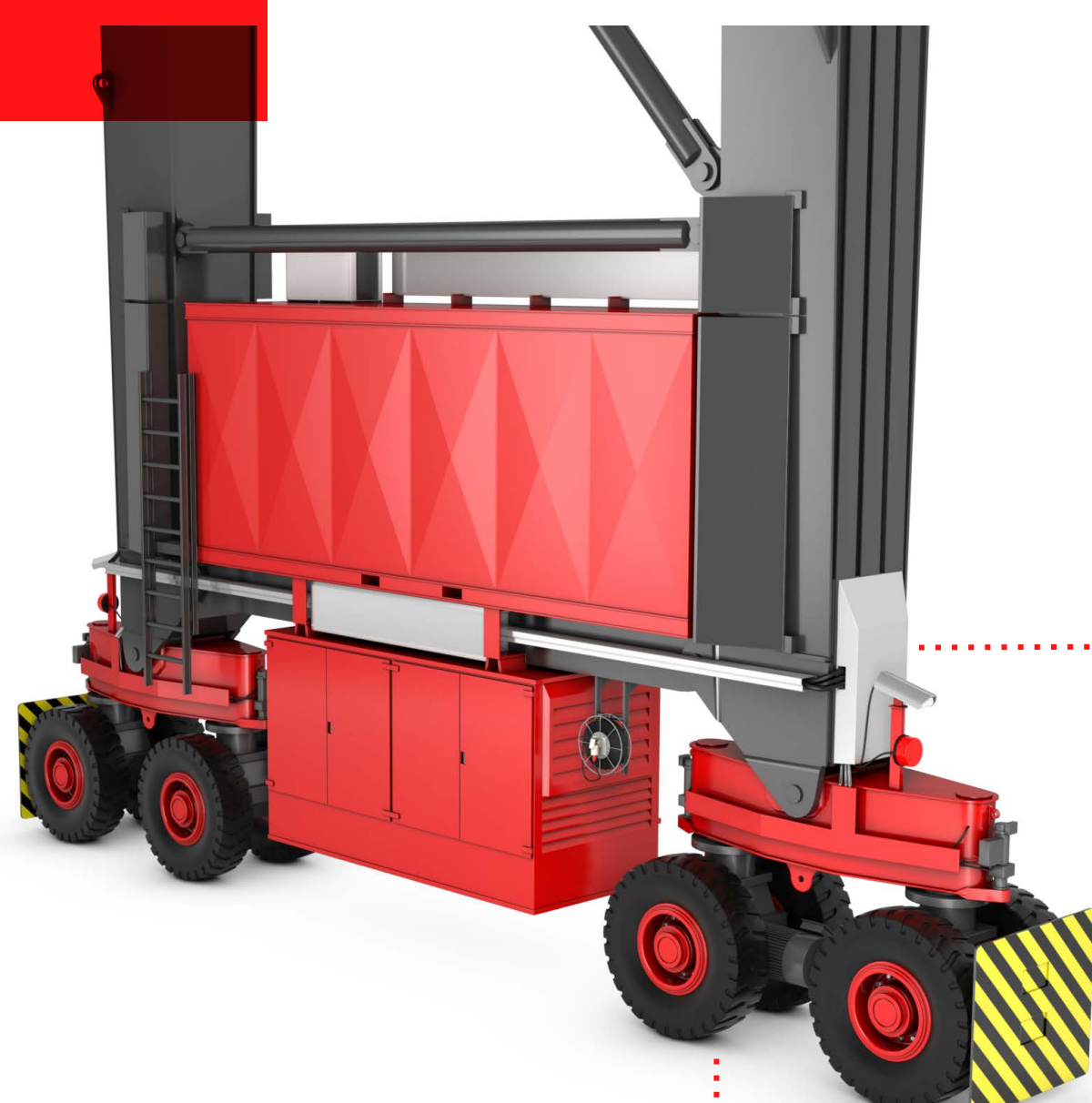


ECOLIFTING RETROFITS

Fuel Saver

A low cost, compact retrofit system that can save up to 30% of fuel consumption without compromising performance or comfort.



EQUIPMENT

This technology can be applied to any RTG with a fixed speed diesel gen-set, including **other crane brands**.

Information required with other brands: Generator type, PLC software program and circuit diagrams.

AB
Any Brand

RTG
Rubber-Tyred
Gantry

BENEFITS

- Reduces CO2 / NOX emissions
- Lower speed produces less noise
- Components wear more slowly, so replacements are less often required
- In Fuel Saver mode the crane's RPMs drop to 50% of that in full diesel mode.
- All lighting and heating systems, e.g. cabin air-conditioning, remain fully functional during idling.

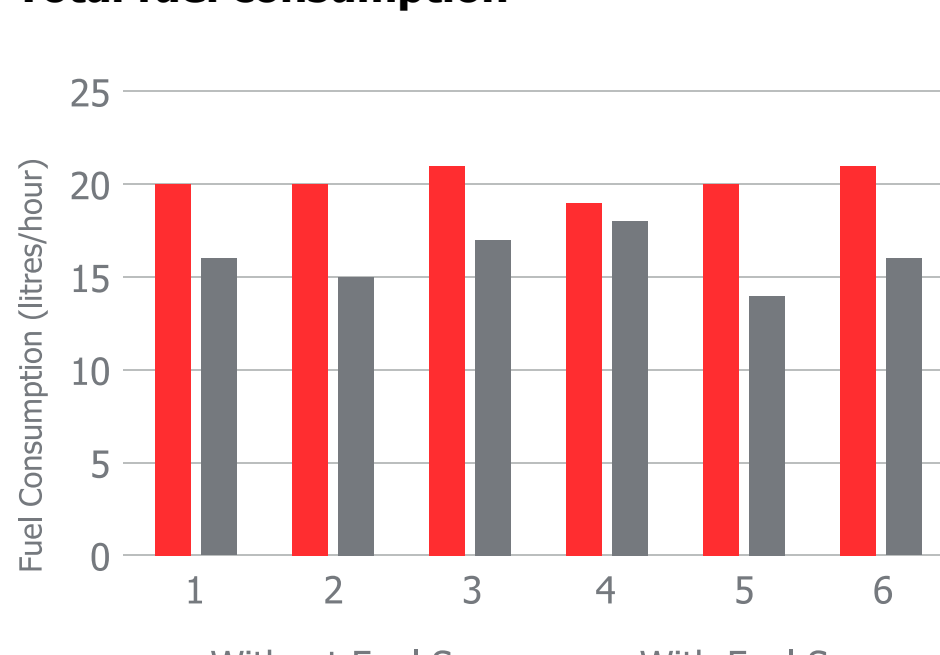


FUEL SAVINGS

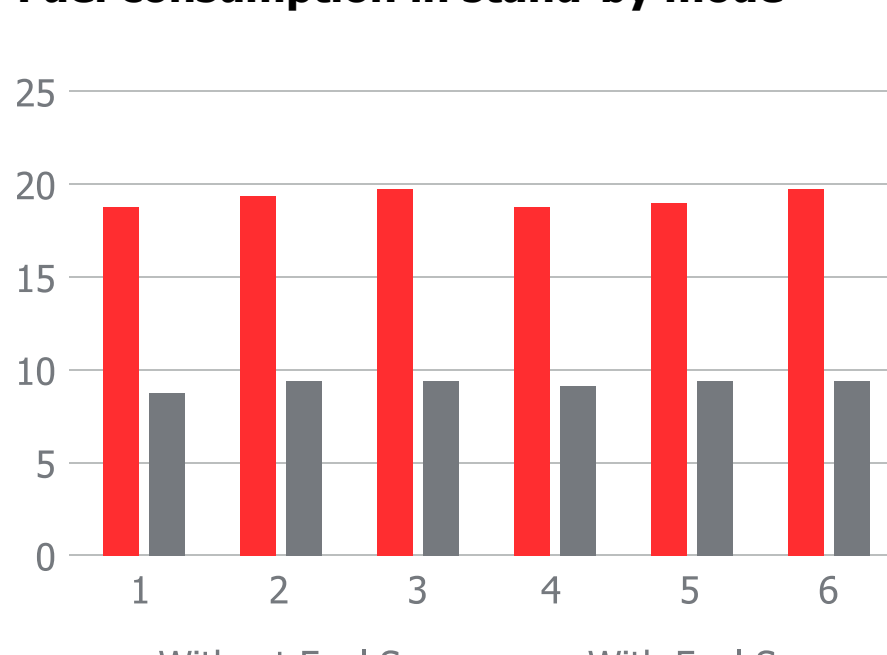
The following graphs show the fuel consumption, in litres used per hour, of six different RTG cranes with and without KONECRANES Fuel Saver (FS2) system installed.

The readings were taken during 1 month of operation and show both total fuel consumption and fuel consumption whilst in standby (idle mode).

Total fuel consumption

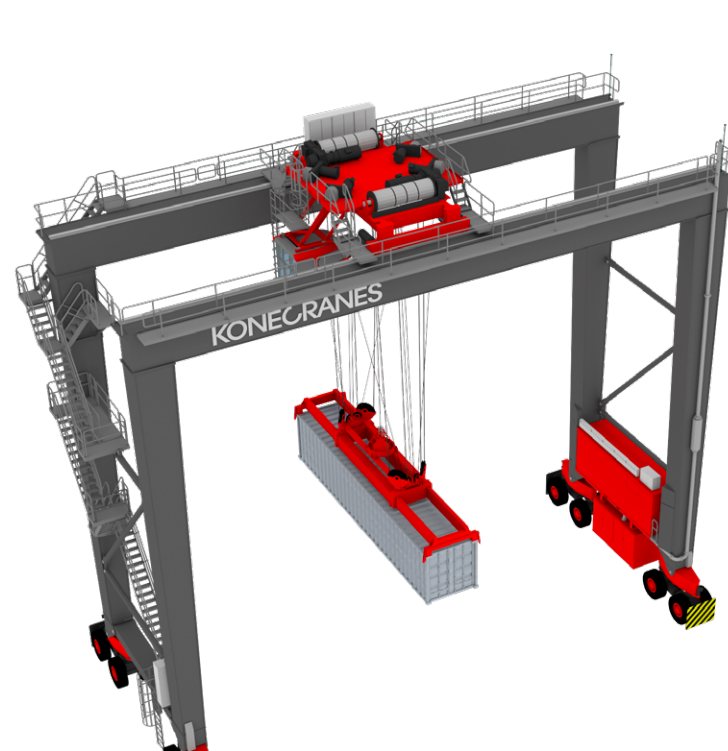


Fuel consumption in stand-by mode



HOW IT WORKS

- Electrical components are mounted either in crane's E-Room or in an outdoor cubicle on top of the E-Room
- Uses proprietary "DynACon" power converter
- Technology switches the diesel engine to idle rotational speed if no load condition is detected, or if a certain period of time has elapsed without movement instructions from the operator
- The moment the operator activates full controls again, the diesel engine returns back to normal RPMs.



WHAT YOU NEED TO KNOW

- Customer needs to ensure prompt availability and safe work location

SELECTED REFERENCES



Year	Customer/Location	Quantity
2019	SCPA / Charleston	18
2018	APMT / Port Elizabeth	20
2018/19	CTSP / St Petersburg	19

Konecranes is a world-leading group of Lifting Businesses™, serving a broad range of customers, including manufacturing and process industries, shipyards, ports and terminals. Konecranes provides productivity enhancing lifting solutions as well as services for lifting equipment of all makes. The Group has more than 16,000 employees at 600 locations in 50 countries. Konecranes shares are listed on the Nasdaq Helsinki (symbol: KCR).

© 2020 Konecranes. All rights reserved. "Konecranes", "Lifting Businesses" and  are either registered trademarks or trademarks of Konecranes.

This publication is for general informational purposes only. Konecranes reserves the right at any time, without notice, to alter or discontinue the products and/or specifications referenced herein. This publication creates no warranty on the part of Konecranes, express or implied, including but not limited to any implied warranty or merchantability or fitness for a particular purpose.

